

On Throat Of Injection-Molding Machine

Do you have fines and dust contamination?
 Provide the resin with an air-bath to remove dust
 and fines during conveyance.

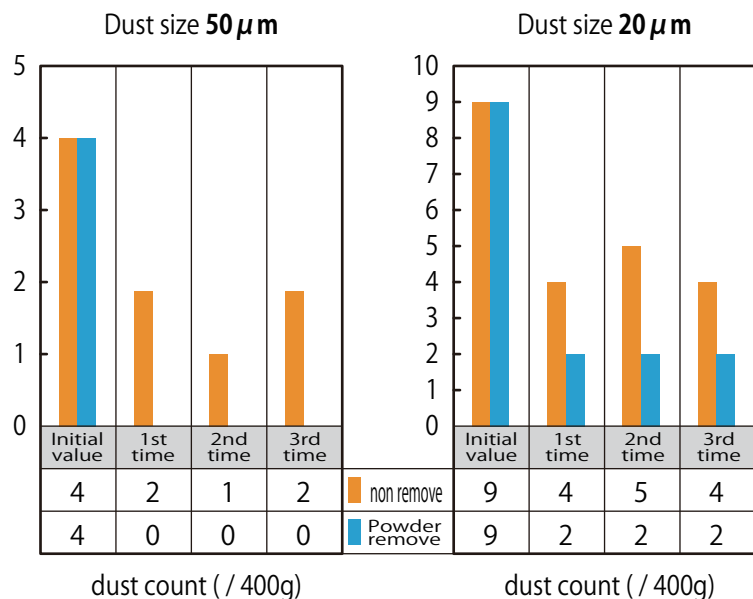
Aero Power Hopper

Overview This receiver performs dust removal and mixing functions by airflow during conveyance. Allows for dust removal just before (pellet) enters the injection machine feed throat.



[APH-T]

■ APH Test of remove contamination



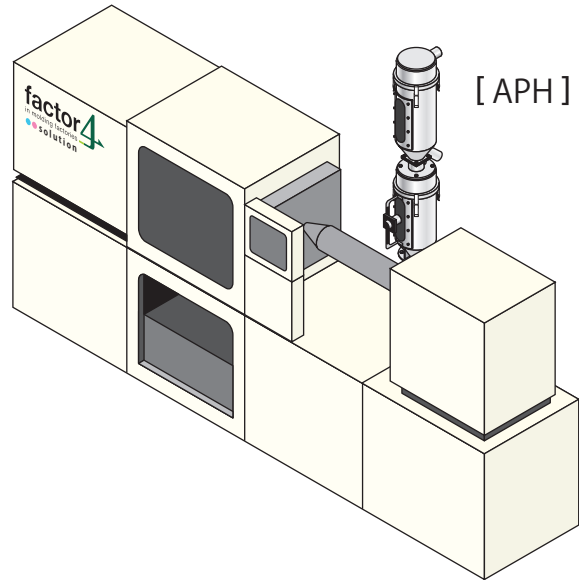
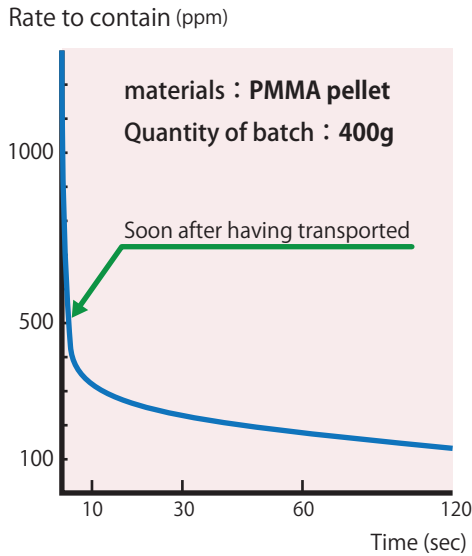
Features

- Ideal for optical molding.
- Removes particles that can cause white spot, luminescent spot, and black spot in finished molded part.
 (White spot by un-fusing resin powder, improvement of luminescent spot, and improvement of black spot by foreign material removal effect)
- It can remove powder efficiently even if little quantity of resin. (← ↓ APH-T)
- Reduce static electricity by materials feeding pipe in the Hopper center.

6

Eliminating Contamination

■ APH Test of remove powder



MEMO

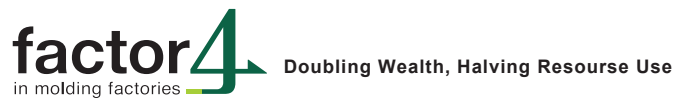
If you are looking for a best solution... http://matsui-mfg.co.jp/factor4_solutions/



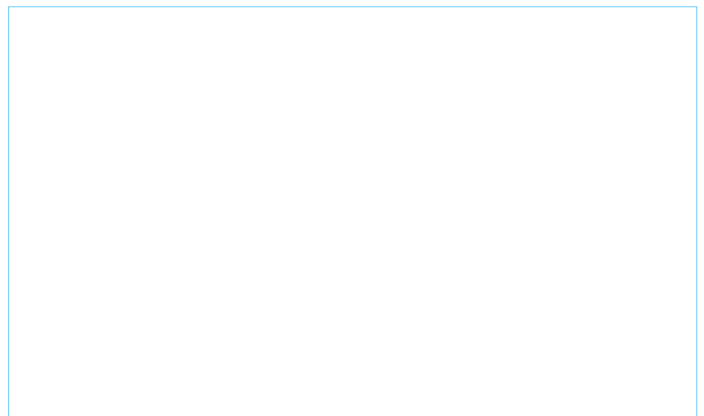
MATSUI MFG. CO., LTD. <http://matsui-mfg.net>

- **Osaka Head Office**
Addr:OBP PLAZA BLDG.17th F. 1-4-70,Shiromi,Chuo-ku,Osaka 540-0001,Japan.
TEL:06-6942-9555 / FAX:06-6942-9559
- **Tokyo Head Office**
Addr:Shin Osaki Kangyo BLDG.9F, 1-6-4, Oosaki, Shinagawa-ku,Tokyo 141-0032, Japan.
TEL:03-5436-3521 / FAX:03-3495-5331
- **BRANCHES**

Matsui America, Inc.	TEL: 847-290-9680	/ FAX: 630-980-2269
Matsui (Asia) Co.,Ltd.	TEL: 02-324-0216	/ FAX: 02-324-0219
Matsui Mfg (Singapore) Pte. Ltd.	TEL: 6744-9602	/ FAX: 6743-6111
Korea Matsui Inc.	TEL: 032-811-9400	/ FAX: 032-811-9406
Taiwan Matsui Co., Ltd.	TEL: 02-8919-1556	/ FAX: 02-8919-1885
Shanghai Matsui Machinery Co., Ltd.	TEL: 021-5442-3111	/ FAX: 021 5442-48
Matsui Technologies India Ltd.	TEL: 0120-2397114	/ FAX: 0120-2397114



Matsui, your Plastic molding partner for resource reduction, propose to achieve 'factor 4' in molding factors.
We aim to increase productivity by 4times by achieving the following, 'Save Water', 'Save Resin s' and 'save Energy'.



! Information in this catalog is effective as of Sep2013.
Actual color of the product may slightly differ from the printing in this catalogue.
Rating and/or design of the product may change for improvement without prior notice.